

SCV-300.2G

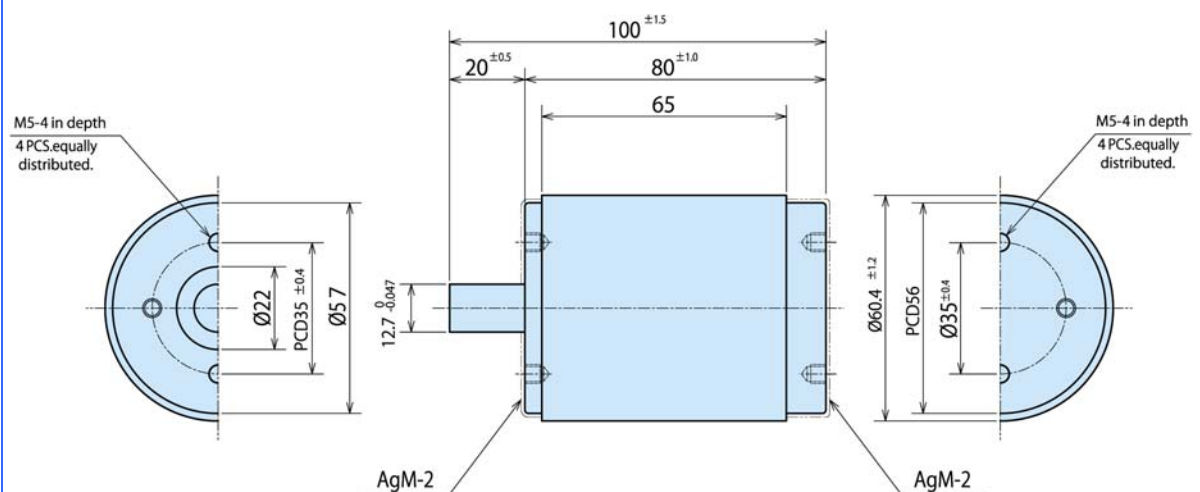
Variable Type Vacuum Capacitor (VM Type)

Specification

Peak Test Voltage	30 kV, peak (at 50,60 Hz/ 1 minute)
RF Working Voltage	18 kV, peak (at 13.56 MHz)
Capacitance nominal	6 – 20 pF
Linear Variability	4±1 pF/Turn (C≥8pF)
Maximum Current (Convection)	21 A, rms (at 13.56 MHz)
Tuner Turns	5.5±0.5 Turns
Tuner Operating Torque	19.6 N·cm
Total Length	100 mm
Mounting Length	80 mm
Outer Diameter	φ60.4 mm
Weight	0.8 kg



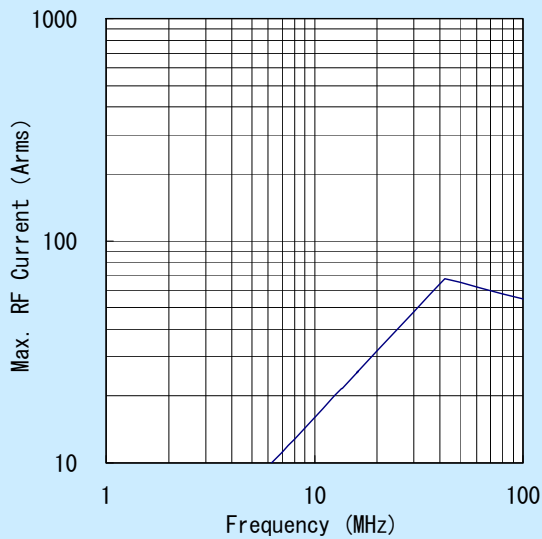
Drawing



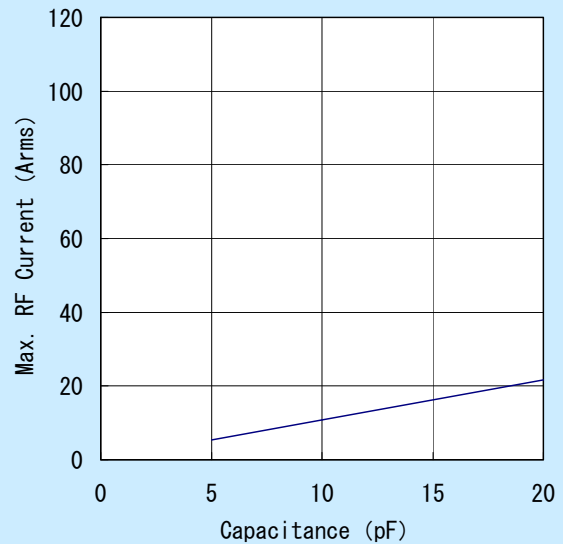
SCV-300.2G

Variable Type Vacuum Capacitor (VM Type)

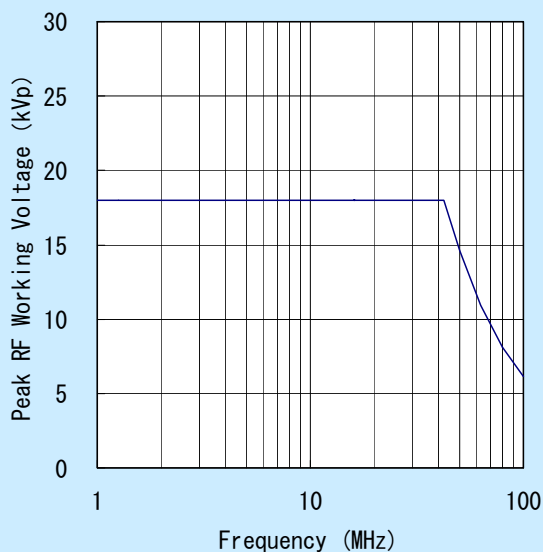
Frequency - Current response



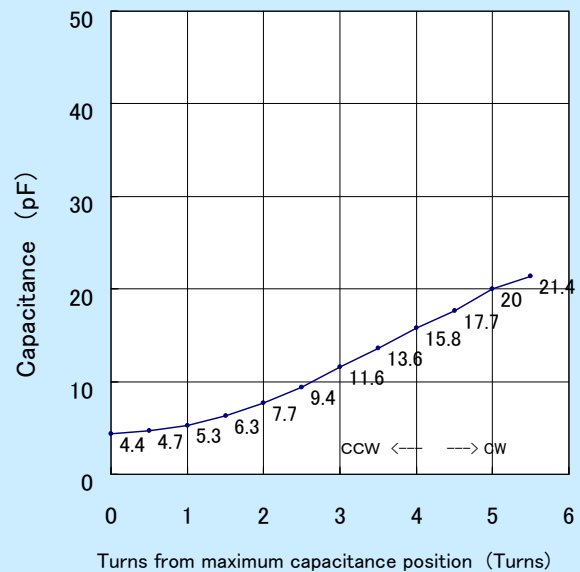
Capacitance - Current response



Frequency - Voltage response



Tuner Turns - Capacitance response



Notice:

- Current collecting system: Capacitor both-end full-face collection.
- Cooling System: Natural air-cooling.
- Permissible surface temperature: 125°C.
(The surface temperature changes with current collecting conditions and ambient temperature.)
- Ambient temperature: 25°C.