

# SCV-202.5H94

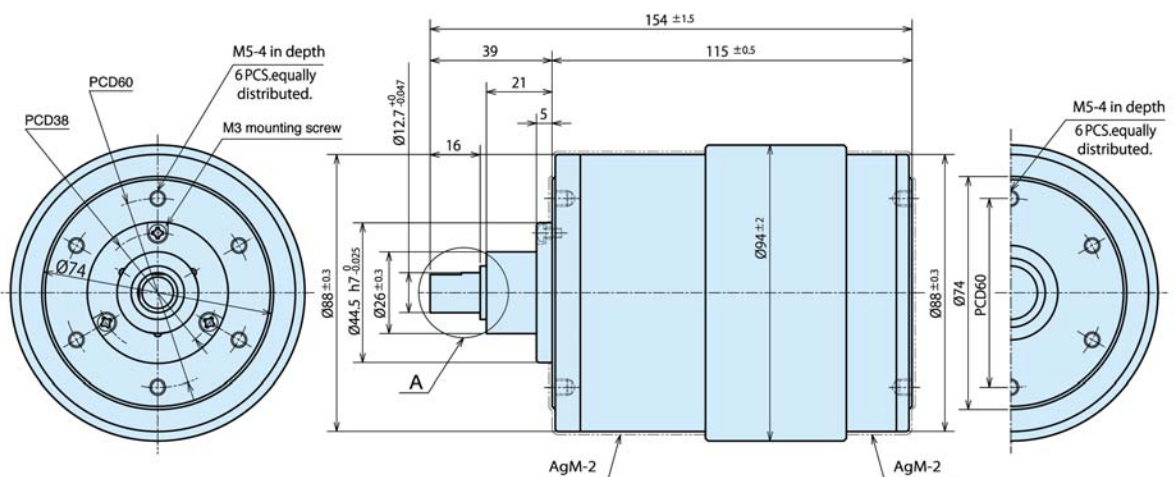
Variable Type Vacuum Capacitor (VH94 Type)

## Specification

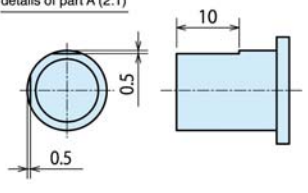
Peak Test Voltage	20 kV, peak (at 50,60 Hz/ 1 minute)
RF Working Voltage	12 kV, peak (at 13.56 MHz)
Capacitance nominal	30 – 250 pF
Linear Variability	18.9±1 pF/Turn (C≥45pF)
Maximum Current (Convection)	150 A, rms (at 13.56 MHz)
Tuner Turns	14±0.5 Turns
Tuner Operating Torque	18 N·cm
Total Length	154 mm
Mounting Length	115 mm
Outer Diameter	Φ94 mm
Weight	2.1 kg



## Drawing

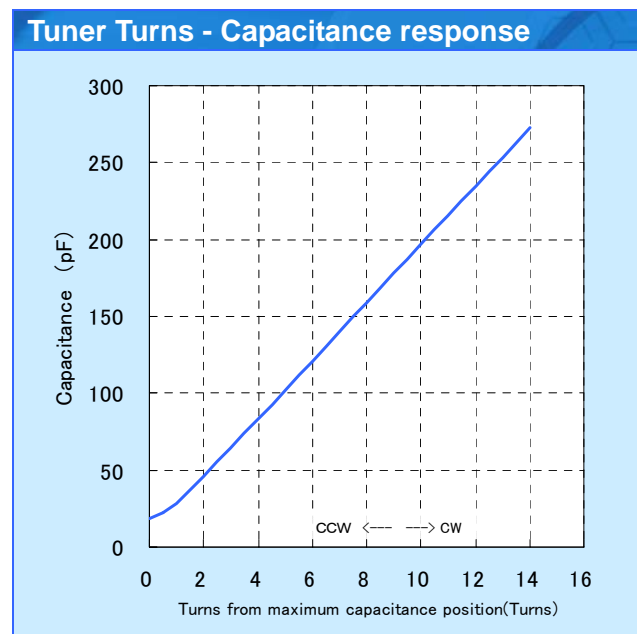
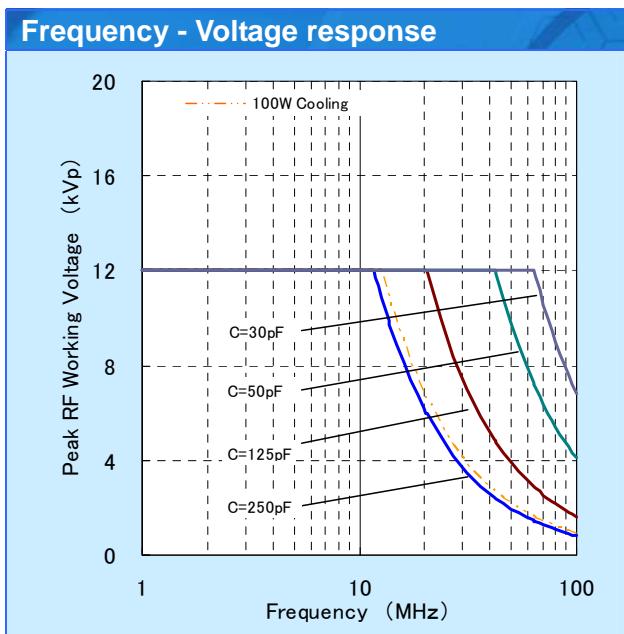
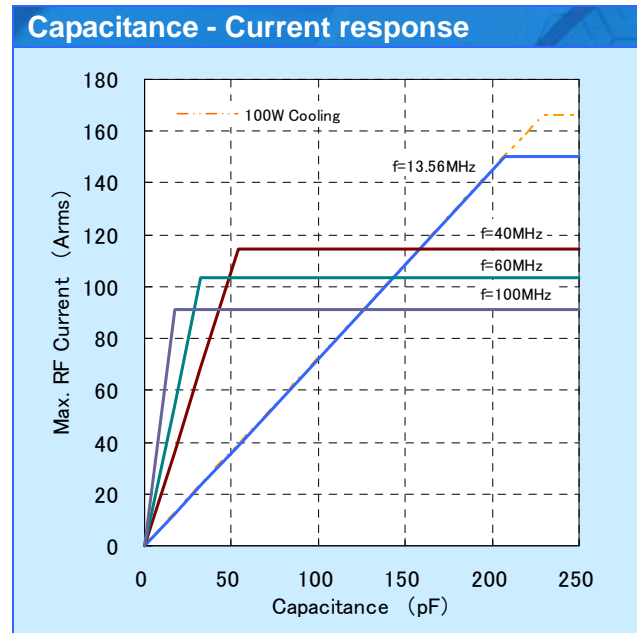
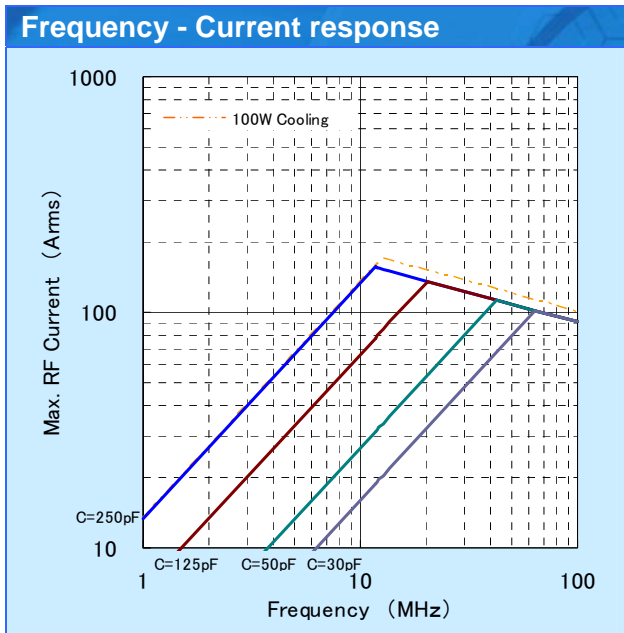


details of part A (2:1)



# SCV-202.5H94

Variable Type Vacuum Capacitor (VH94 Type)



**Notice:**

- Current collecting system: Capacitor both-end full-face collection.
- Cooling System: Natural air-cooling.
- Permissible surface temperature: 125°C.  
(The surface temperature changes with current collecting conditions and ambient temperature.)
- Ambient temperature: 25°C.