

# SCV-152H65

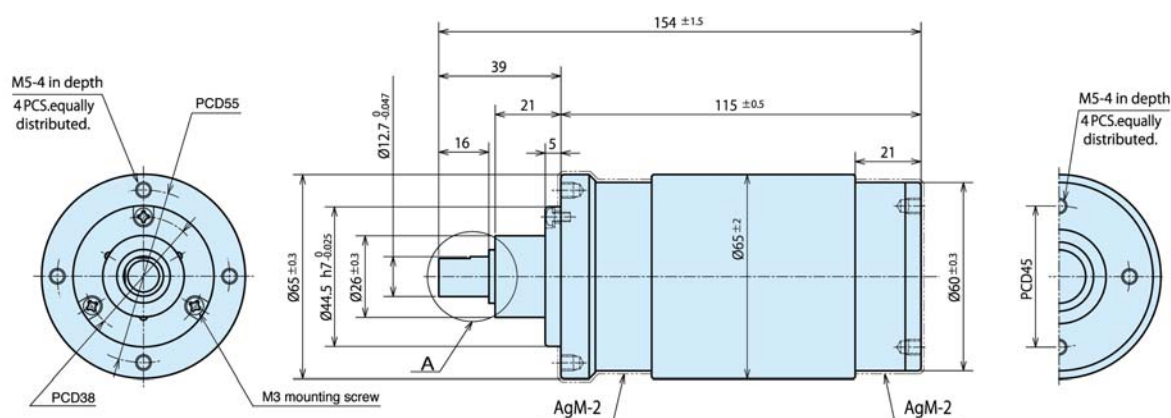
Variable Type Vacuum Capacitor (VH65 Type)

## Specification

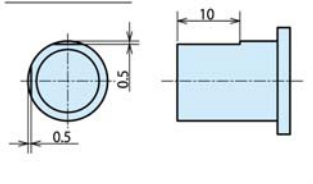
Peak Test Voltage	15 kV,peak (at 50,60 Hz/ 1 minute)
RF Working Voltage	9 kV,peak (at 13.56 MHz)
Capacitance nominal	15 – 200 pF
Linear Variability	14.5±0.8 pF/Turn (C≥30 pF)
Maximum Current	108 A,rms (at 13.56 MHz)
Tuner Turns	14±0.5 Turns
Tuner Operating Torque	18 N·cm
Total Length	154 mm
Mounting Length	115 mm
Outer Diameter	φ65 mm
Weight	1.2 kg



## Drawing

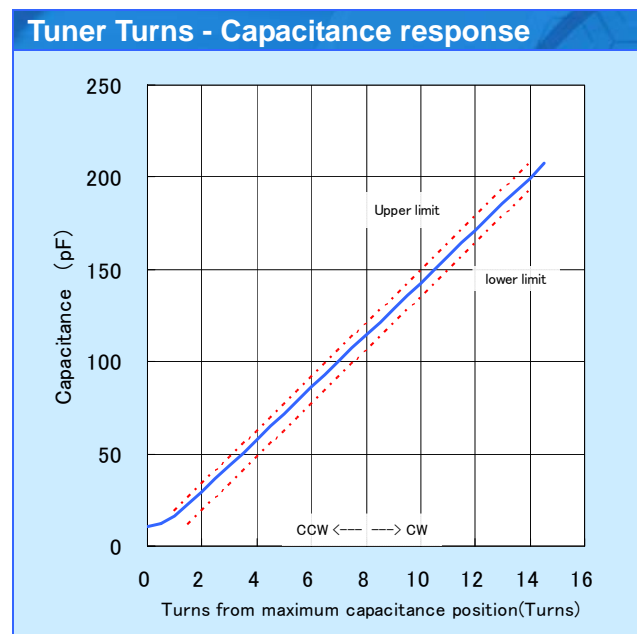
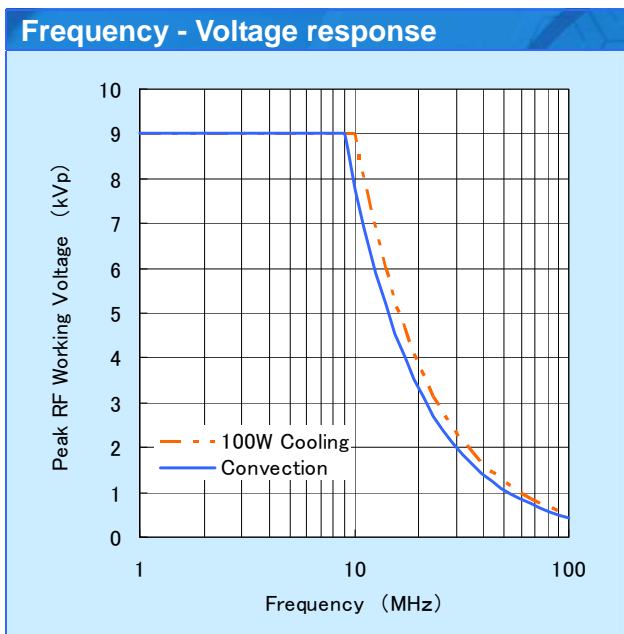
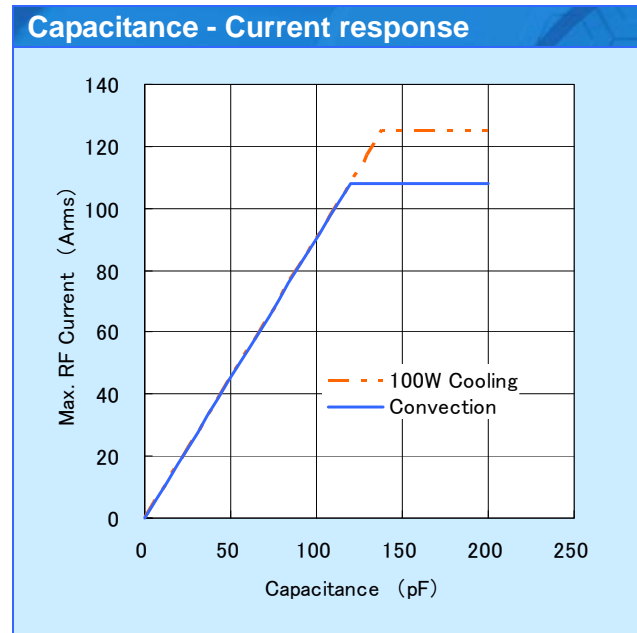
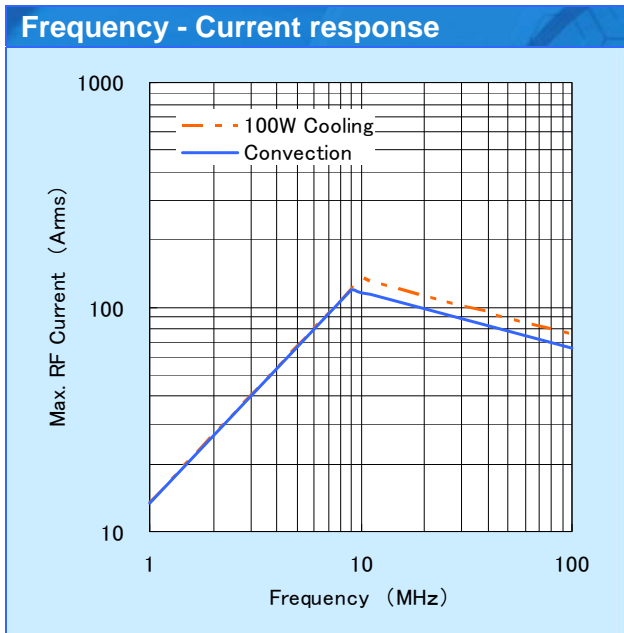


details of part A (2:1)



# SCV-152H65

Variable Type Vacuum Capacitor (VH65 Type)



**Notice:**

- Current collecting system: Capacitor both-end full-face collection.
- Cooling System: Convection.
- Permissible surface temperature: 125°C.  
(The surface temperature changes with current collecting conditions and ambient temperature.)
- Ambient temperature: 25°C.