

SCV-152.5H65

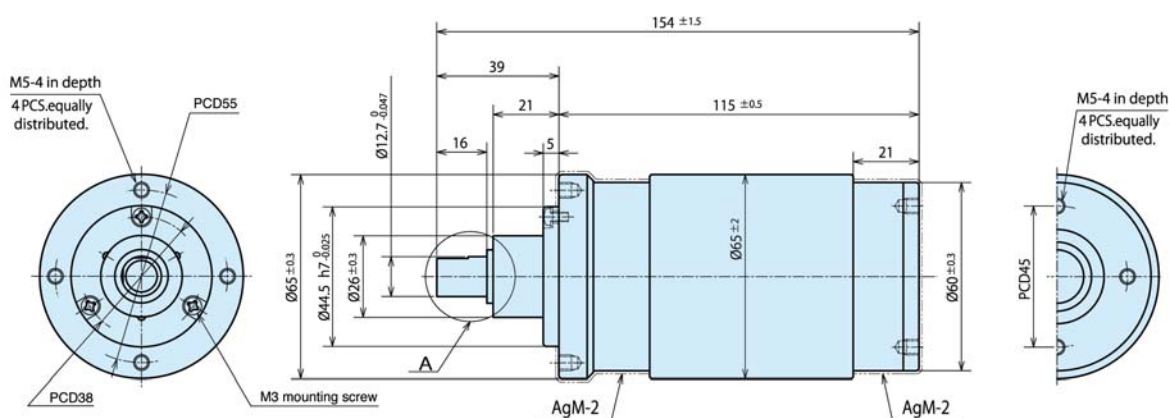
Variable Type Vacuum Capacitor (VH65 Type)

Specification

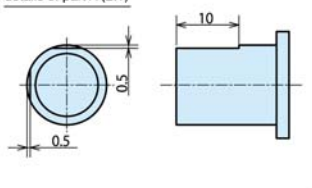
Peak Test Voltage	15 kV,peak (at 50,60 Hz/ 1 minute)
RF Working Voltage	9 kV,peak (at 13.56 MHz)
Capacitance nominal	15 – 250 pF
Linear Variability	17.4±0.9 pF/Turn (C≥35 pF)
Maximum Current	120 A,rms (at 13.56 MHz)
Tuner Turns	14±0.5 Turns
Tuner Operating Torque	18 N·cm
Total Length	154 mm
Mounting Length	115 mm
Outer Diameter	φ65 mm
Weight	1.2 kg



Drawing

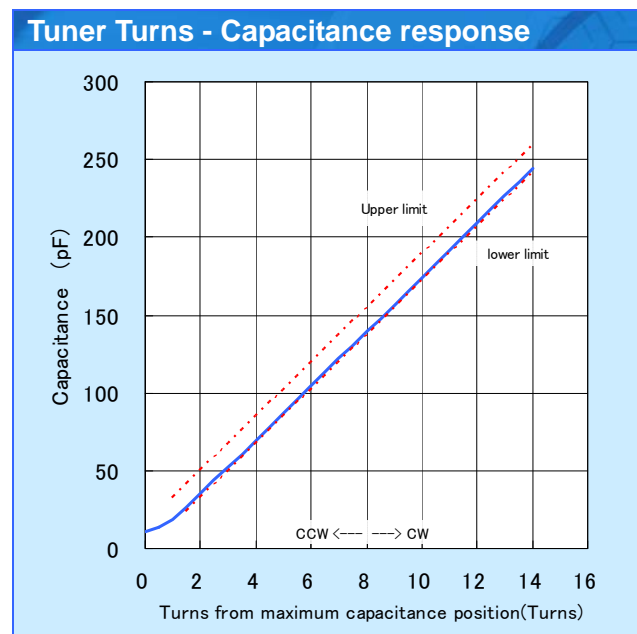
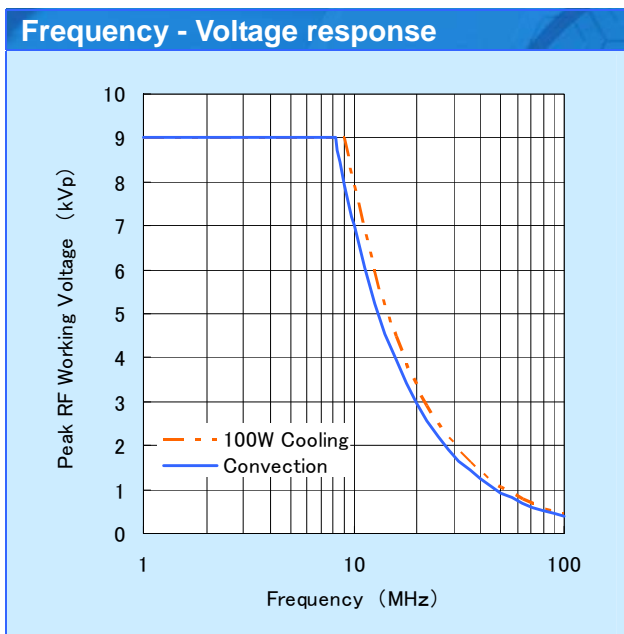
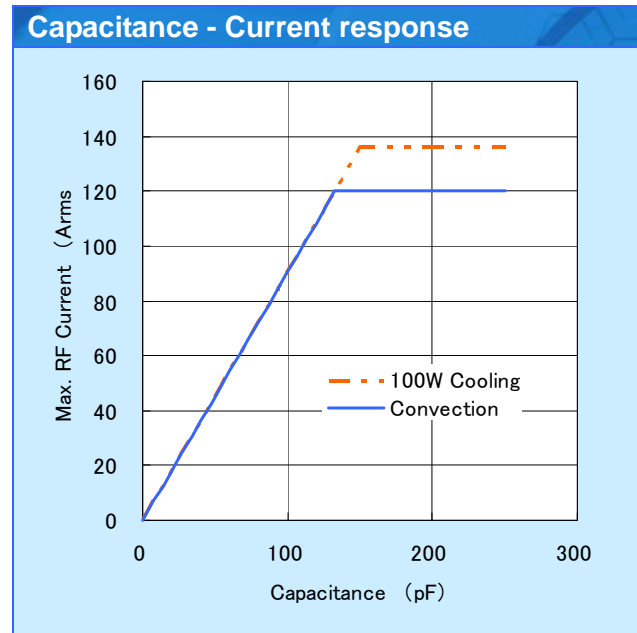
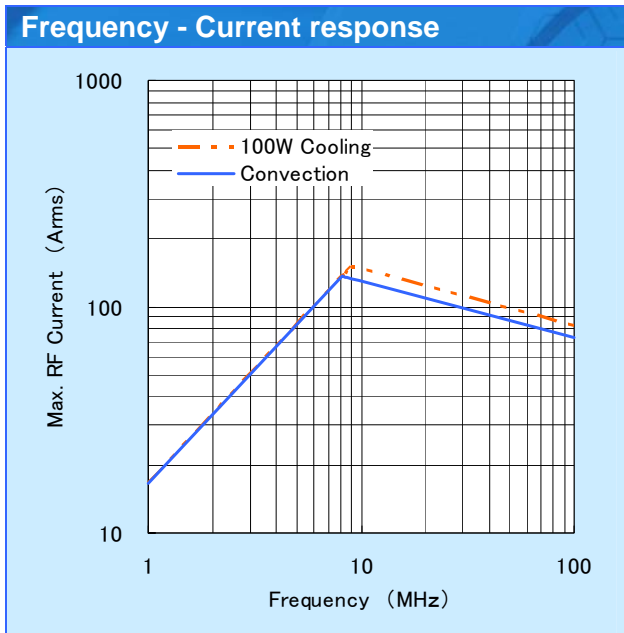


details of part A (2:1)



SCV-152.5H65

Variable Type Vacuum Capacitor (VH65 Type)



Notice:

- Current collecting system: Capacitor both-end full-face collection.
- Cooling System: Convection.
- Permissible surface temperature: 125°C.
(The surface temperature changes with current collecting conditions and ambient temperature.)
- Ambient temperature: 25°C.