

# SCV-125H65UW

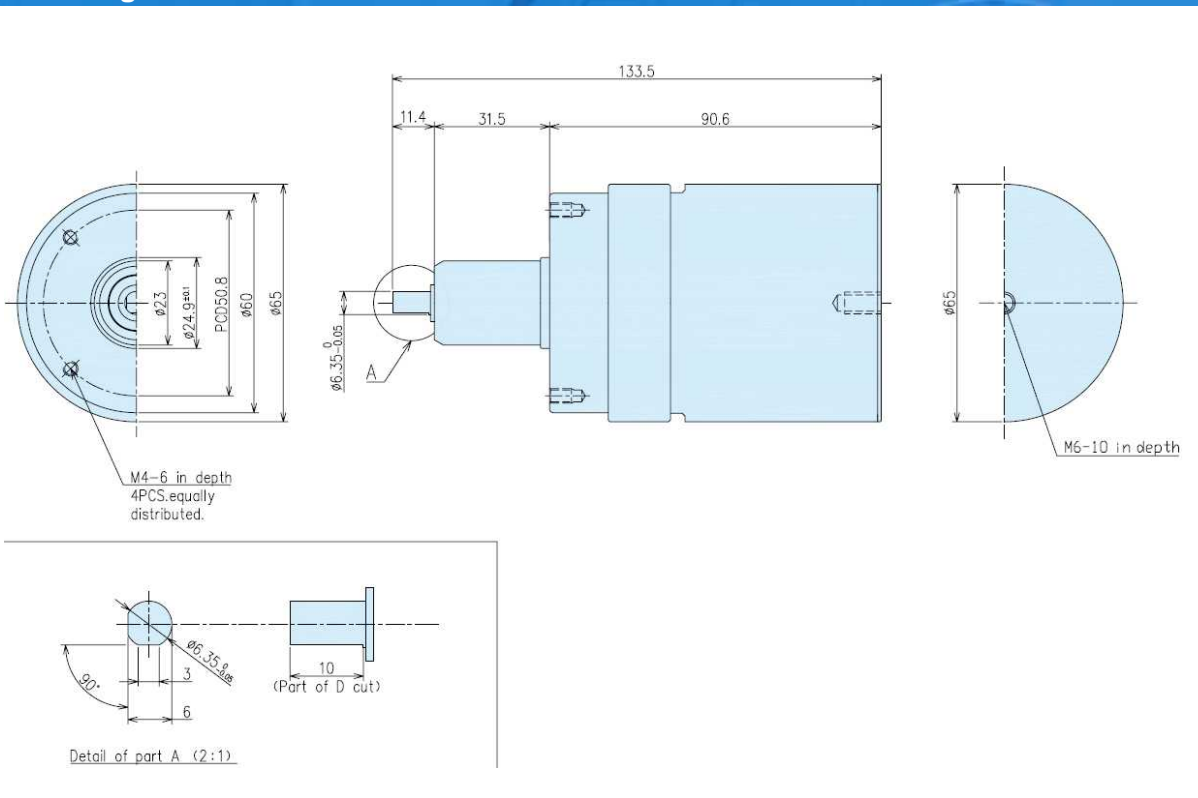
Variable Type Vacuum Capacitor (UW65 Type)

## Specification

Peak Test Voltage	12 kV, peak (at 50,60 Hz/ 1 minute )
RF Working Voltage	7.2 kV, peak (at 13.56 MHz)
Capacitance nominal	50 – 500 pF
Linear Variability	42.7±2.1 pF/Turn (C≥0pF)
Maximum Current	94 A, rms (at 13.56 MHz)
Tuner Turns	10.5±0.5 Turns
Tuner Operating Torque	18 N·cm
Total Length	133.5 mm
Mounting Length	90.6 mm
Outer Diameter	65 mm
Weight	0.93 kg



## Drawing

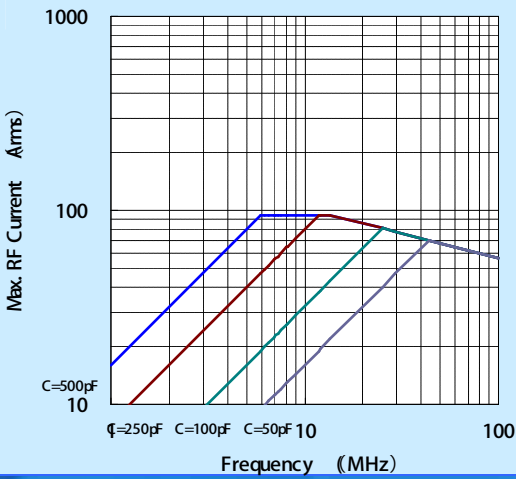


# SCV-125H65UW

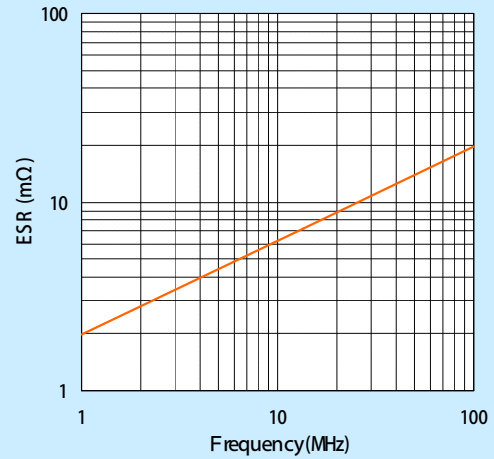
MEIDEN

Variable Type Vacuum Capacitor ( UW65 Type)

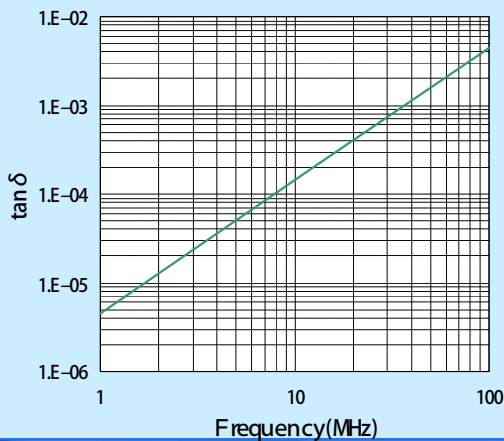
Frequency - Current response



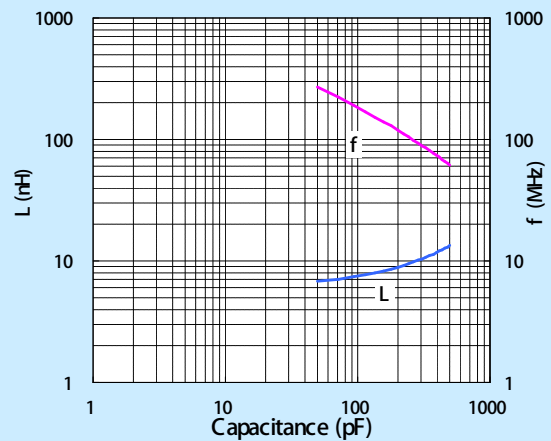
Frequency - ESR



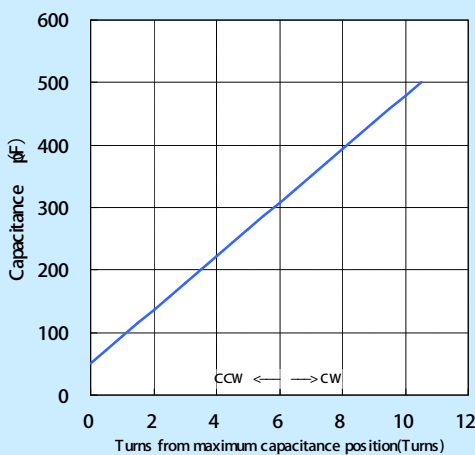
Frequency - tan



Self inductance and resonance frequency



Tuner Turns - Capacitance response



**Notice :**

- Current collecting system : Capacitor both-end full-face collection.
- Cooling System : Conduction.
- Permissible surface temperature : 125°C.  
(The surface temperature changes with current collecting conditions and ambient temperature.)
- Ambient temperature : 25°C.