

# SCF-301H48C

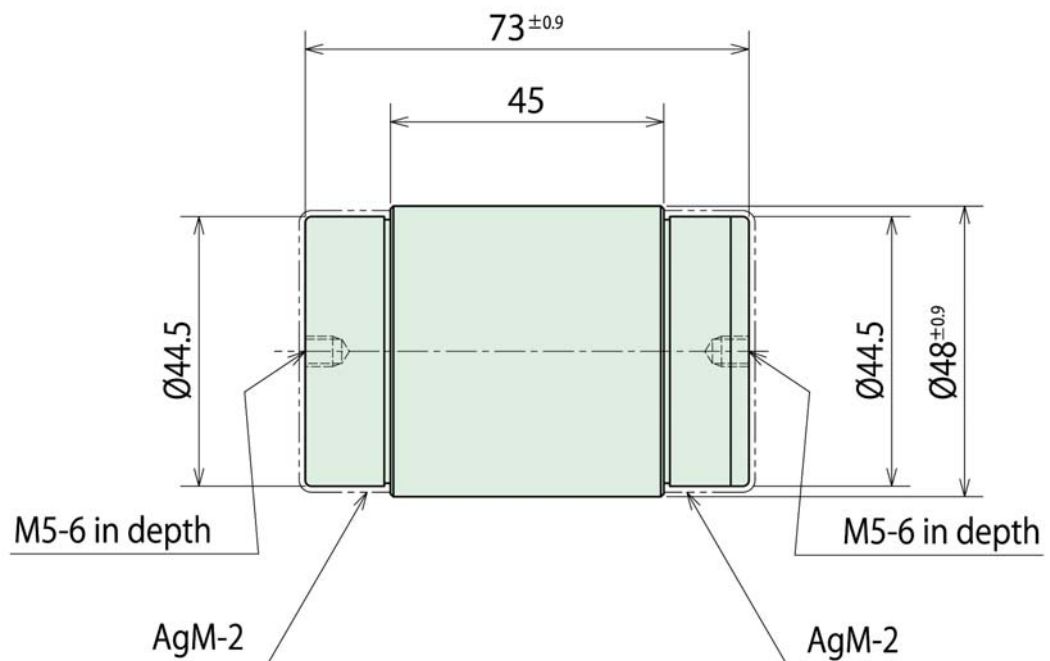
Fixed Type Vacuum Capacitor (FH Type)

## Specification

Peak Test Voltage	30kV,peak (at 50,60 Hz/ 1 minute)
RF Working Voltage	18kV,peak (at 13.56 MHz)
Capacitance	100 pF
Maximum Current (Forced air)	108 A,rms (at 13.56 MHz)
Total Length	73 mm
Outer Diameter	φ48 mm
Mounting Length	73 mm
Weight	0.5 kg

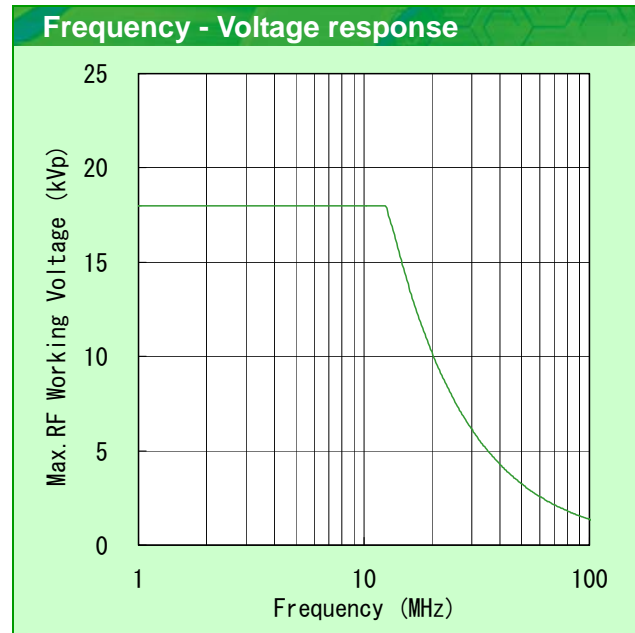
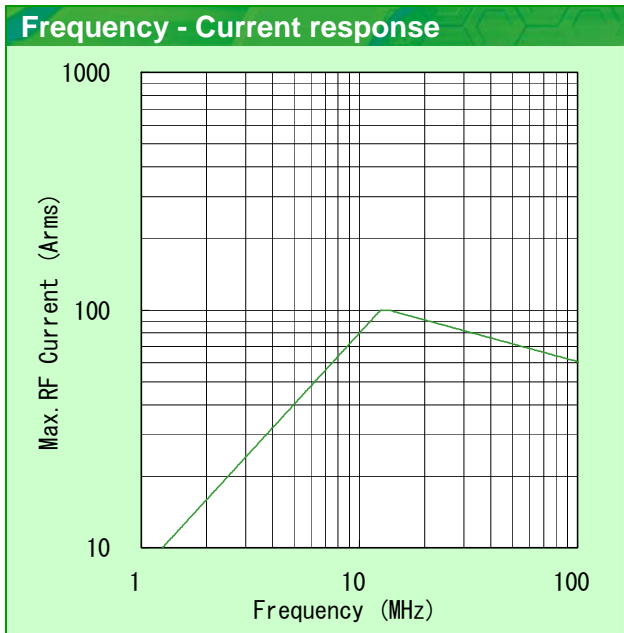


## Drawing



# SCF-301H48C

Fixed Type Vacuum Capacitor (FH Type)



**Notice:**

- Current collecting system: Capacitor both-end full-face collection.
- Cooling System: Forced air.
- Permissible surface temperature: 125°C.  
(The surface temperature changes with current collecting conditions and ambient temperature.)
- Ambient temperature: 25°C.