

# SCF-300.75H48C

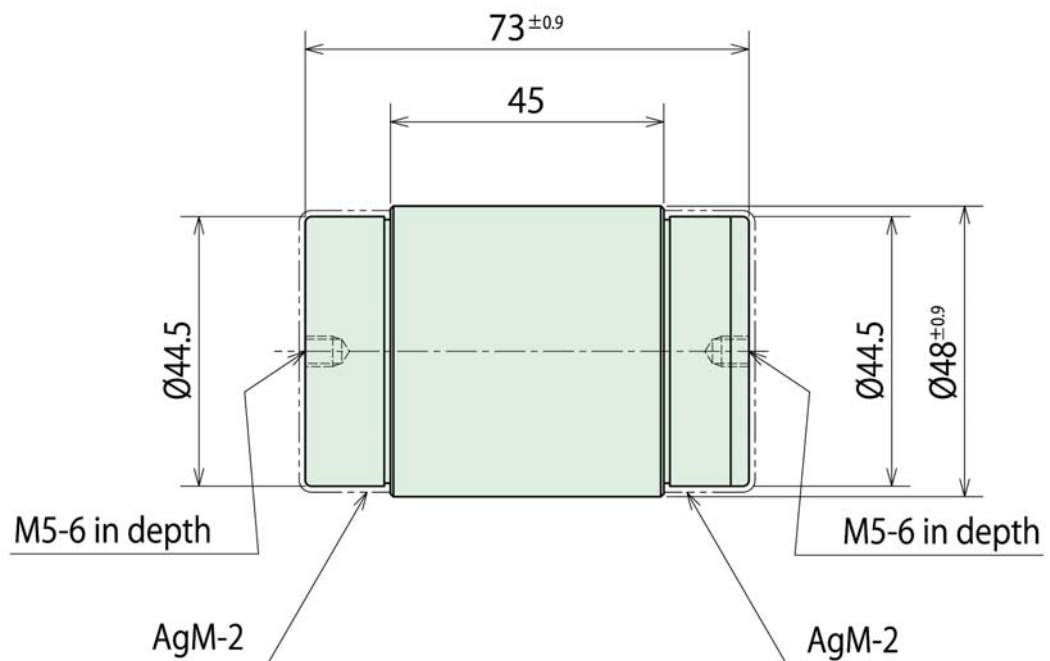
Fixed Type Vacuum Capacitor (FH Type)

## Specification

|                    |                                    |
|--------------------|------------------------------------|
| Peak Test Voltage  | 30 kV,peak (at 50,60 Hz/ 1 minute) |
| RF Working Voltage | 18 kV,peak (at 13.56 MHz)          |
| Capacitance        | 75 pF                              |
| Maximum Current    | 81 A,rms (at 13.56 MHz)            |
| Total Length       | 73 mm                              |
| Outer Diameter     | φ48 mm                             |
| Mounting Length    | 73 mm                              |
| Weight             | 0.5 kg                             |

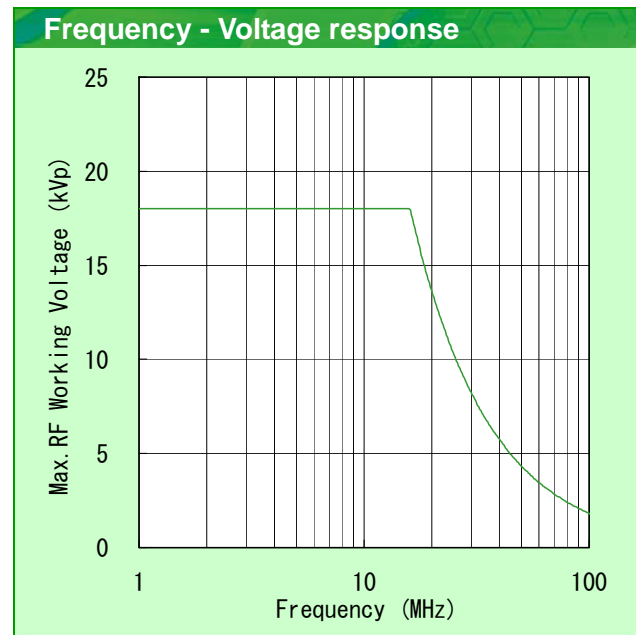
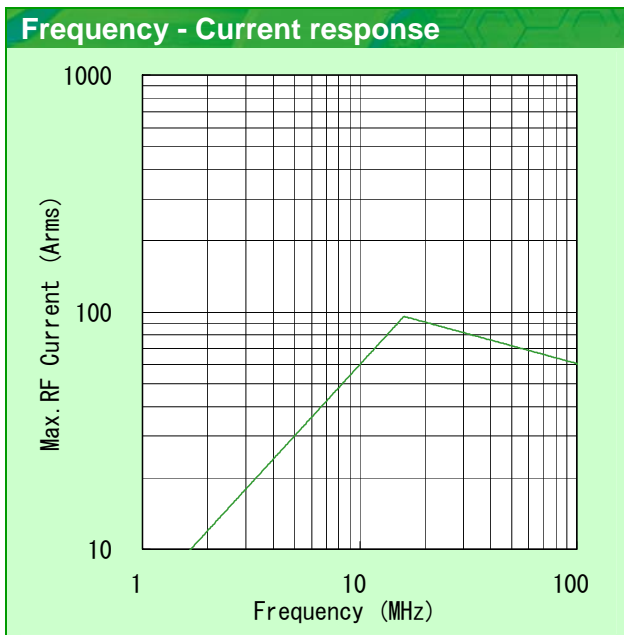


## Drawing



# SCF-300.75H48C

Fixed Type Vacuum Capacitor(FH Type)



**Notice:**

- Current collecting system: Capacitor both-end full-face collection.
- Cooling System: Convection.
- Permissible surface temperature: 125°C.  
(The surface temperature changes with current collecting conditions and ambient temperature.)
- Ambient temperature: 25°C.