

SCF-300.25H48C

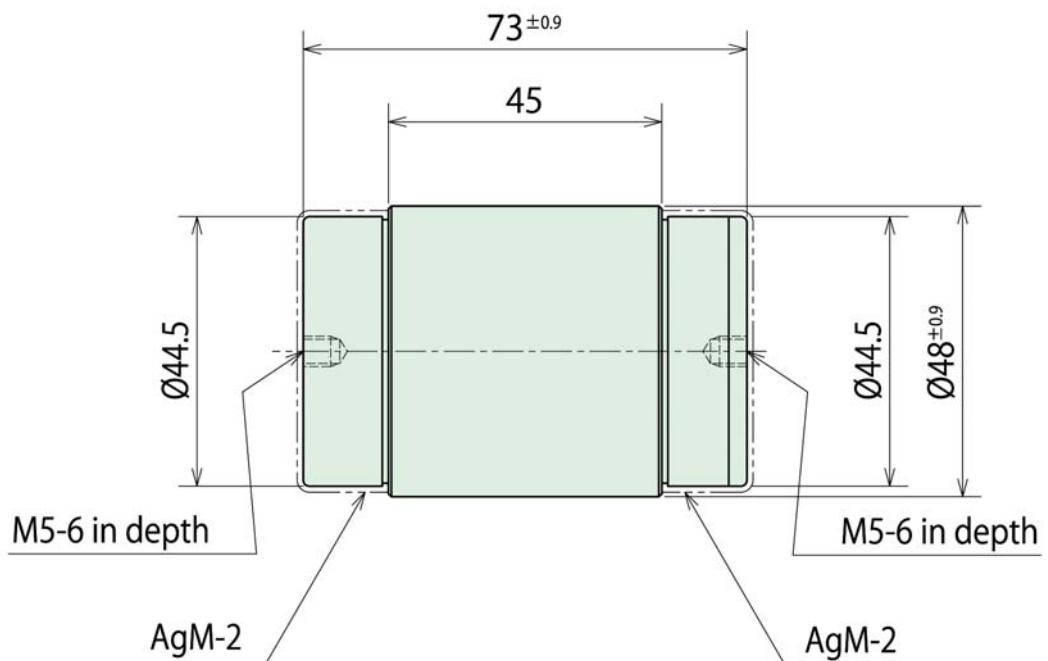
Fixed Type Vacuum Capacitor (FH Type)

Specification

Peak Test Voltage	30kV,peak (at 50,60 Hz/ 1 minute)
RF Working Voltage	18kV,peak (at 13.56 MHz)
Capacitance	25 pF
Maximum Current	27 A,rms (at 13.56 MHz)
Total Length	73 mm
Outer Diameter	φ48 mm
Mounting Length	73 mm
Weight	0.5 kg

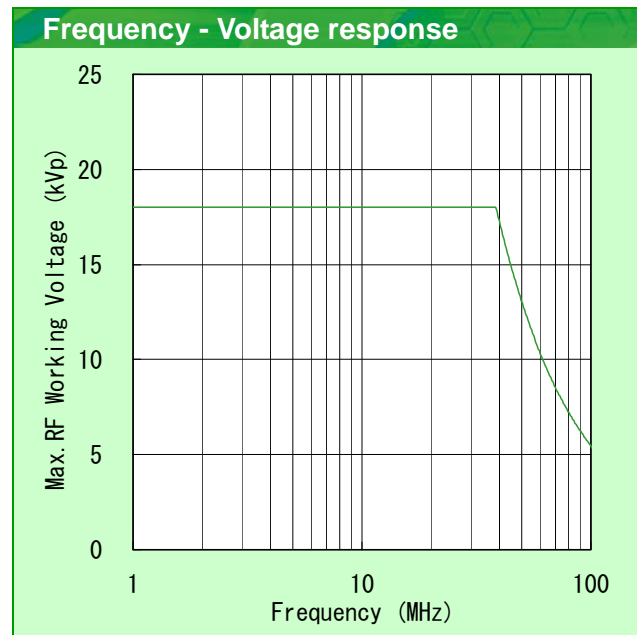
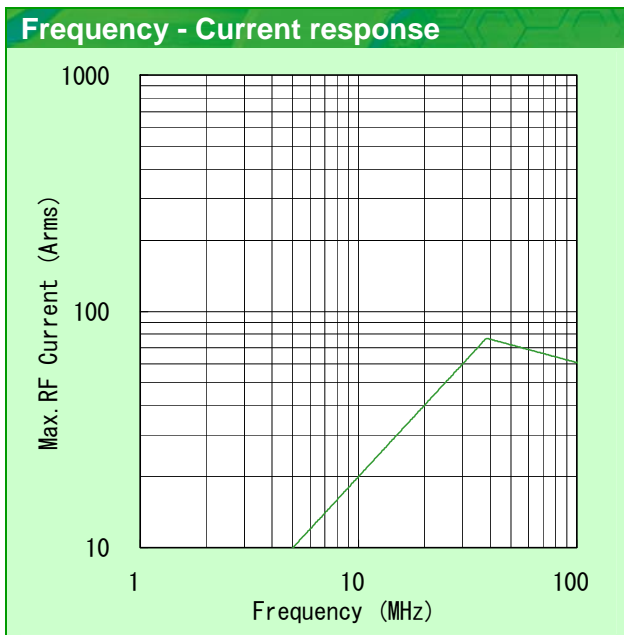


Drawing



SCF-300.25H48C

Fixed Type Vacuum Capacitor (FH Type)



Notice:

- Current collecting system: Capacitor both-end full-face collection.
- Cooling System: Convection.
- Permissible surface temperature: 125°C.
(The surface temperature changes with current collecting conditions and ambient temperature.)
- Ambient temperature: 25°C.