

SCF-151.2CA

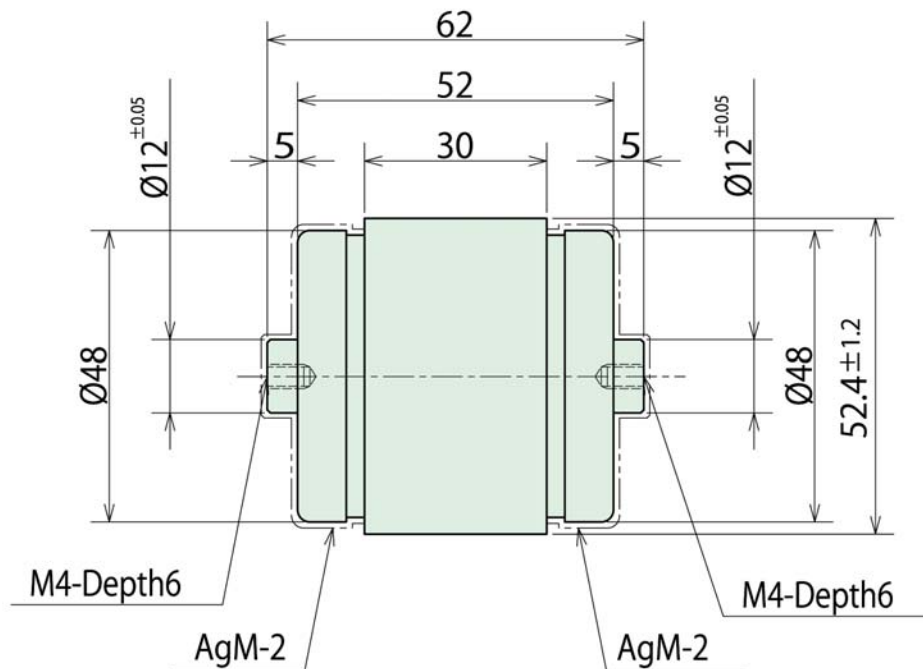
Fixed Type Vacuum Capacitor (FC52A Type)

Specification

Peak Test Voltage	15kV,peak (at 50,60 Hz/ 1 minute)
RF Working Voltage	9 kV,peak (at 13.56 MHz)
Capacitance	120 pF
Maximum Current	65 A,rms (at 13.56 MHz)
Total Length	62 mm
Outer Diameter	φ52.4 mm
Mounting Length	62 mm
Weight	0.5 kg

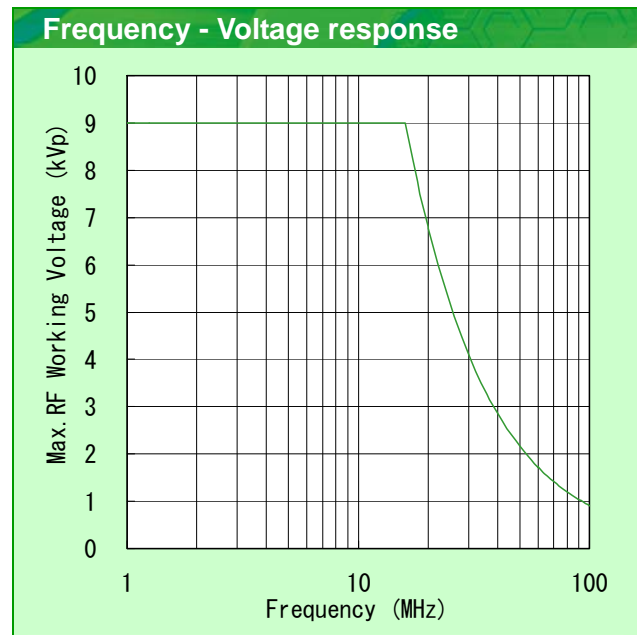
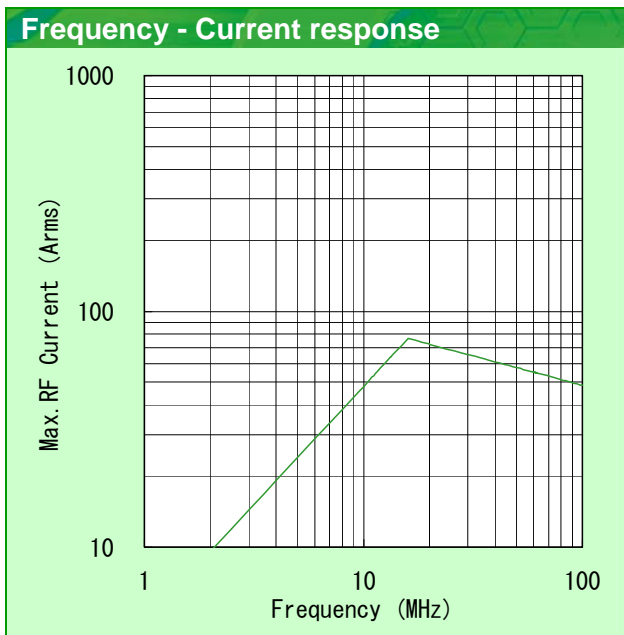


Drawing



SCF-151.2CA

Fixed Type Vacuum Capacitor (FC52A Type)



Notice:

- Current collecting system: Capacitor both-end full-face collection.
- Cooling System: Convection.
- Permissible surface temperature: 125°C.
(The surface temperature changes with current collecting conditions and ambient temperature.)
- Ambient temperature: 25°C.